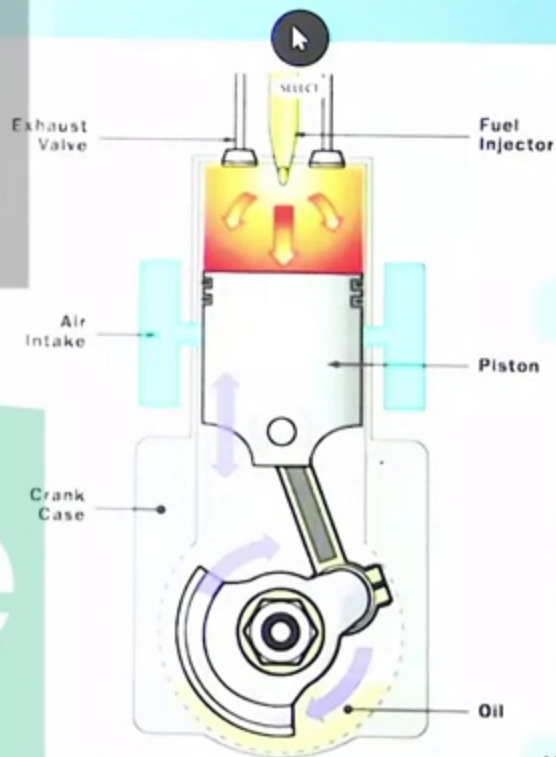


8278601325



Vinod Datusliya
GATE - AIR #1
ESE - AIR #4

INTERNAL COMBUSTION ENGINES



This PDF is generated automatically by **Vizle**.
Slides created *only for a few minutes* of your Video.



For the full PDF, please **Login to Vizle**.

<https://vizle.offnote.co> (Login via Google, top-right)

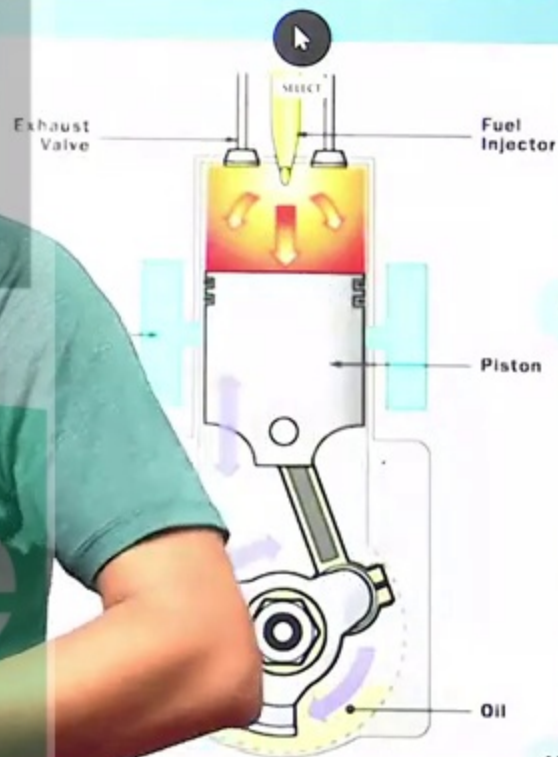
Stay connected with us:

Join us on **Facebook, Discord, Quora, Telegram**.

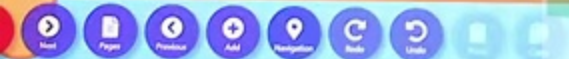


Vinod Datta
GATE - AIR
ESE - AIR

8278601325



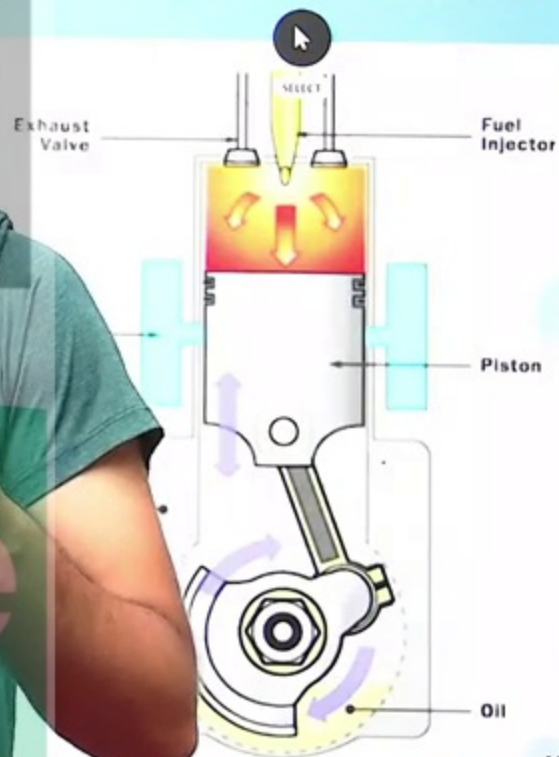
INTERNET
COMBUSTION
ENGINE



8278601325



Vinod Datar
GATE - AIR
ESE - AIR #



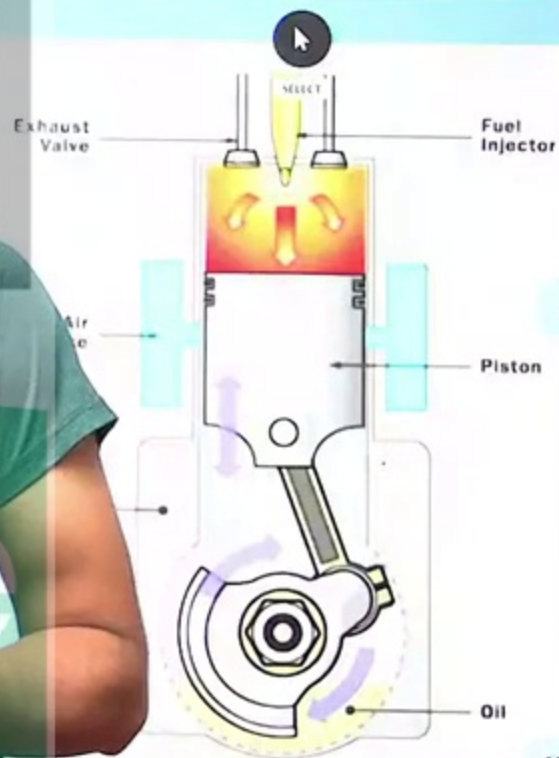
INTERNET
COMBUSTION
ENGINE



8278601325

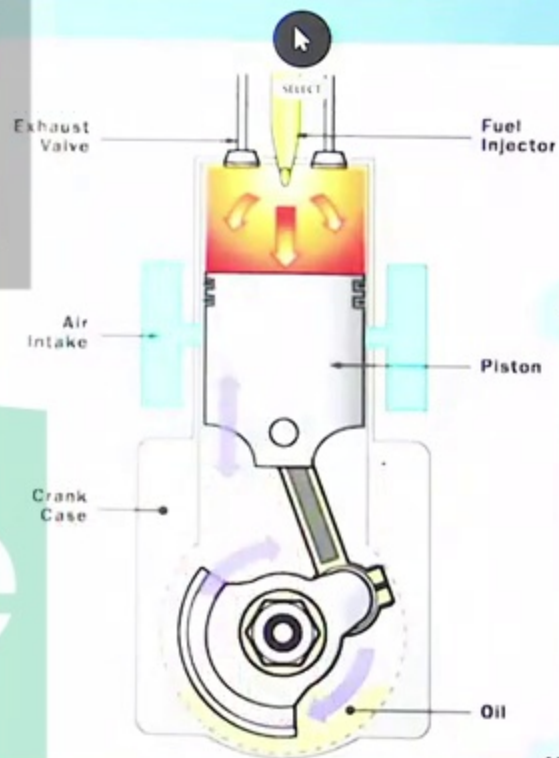


Vinod Datta
GATE -
ESE - AIR



INTER
COMBU
ENGI

8278601325



atusliya

AIR #1

AIR #4

IN
CO

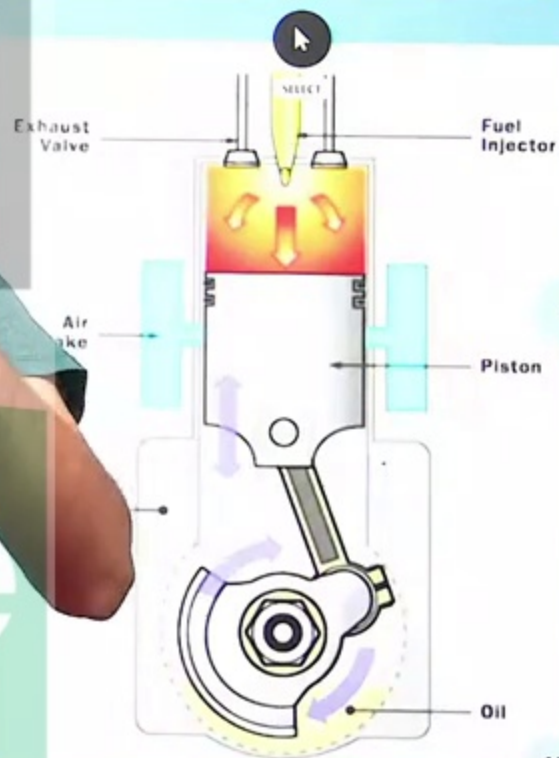
Vizle

8278601325



Vinod Datta
GATE - AIR
ESE - AIR

INTERNAL COMBUSTION ENGINE

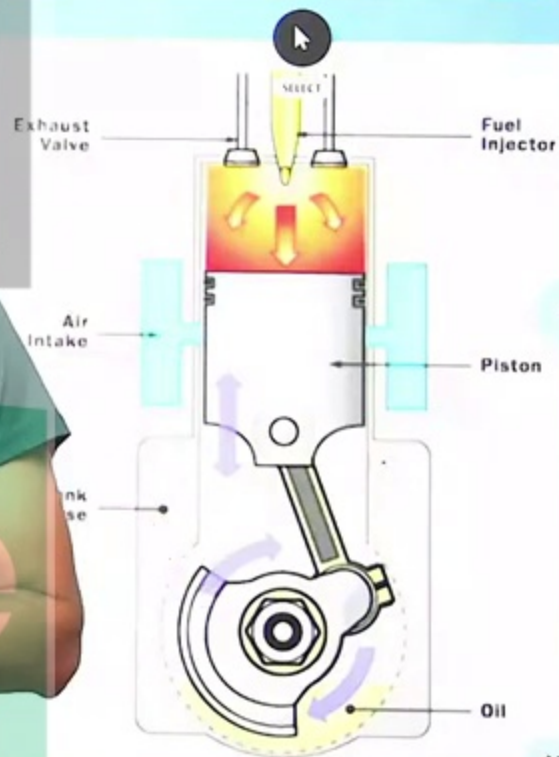


8278601325



Vinod Datar
GATE - AIR
ESE - AIR

INTERNAL COMBUSTION ENGINE

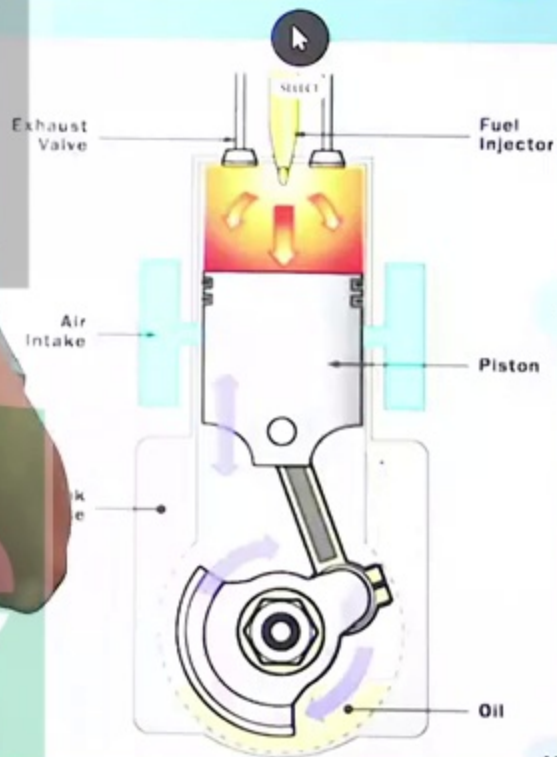


8278601325

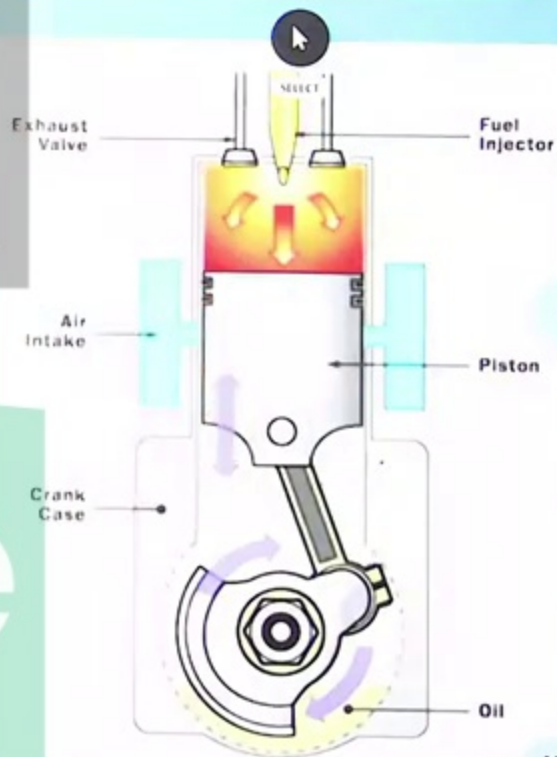


Vinod D.
GATE -
ESE - A

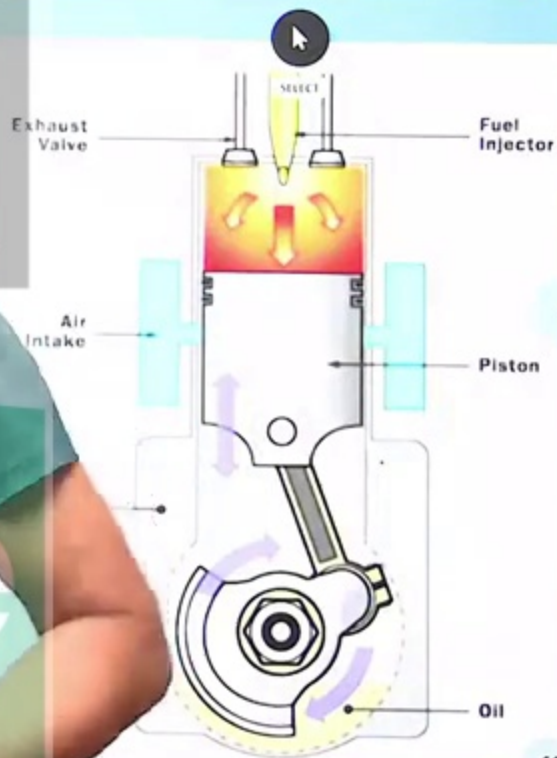
INTERNAL COMBUSTION ENGINE



8278601325



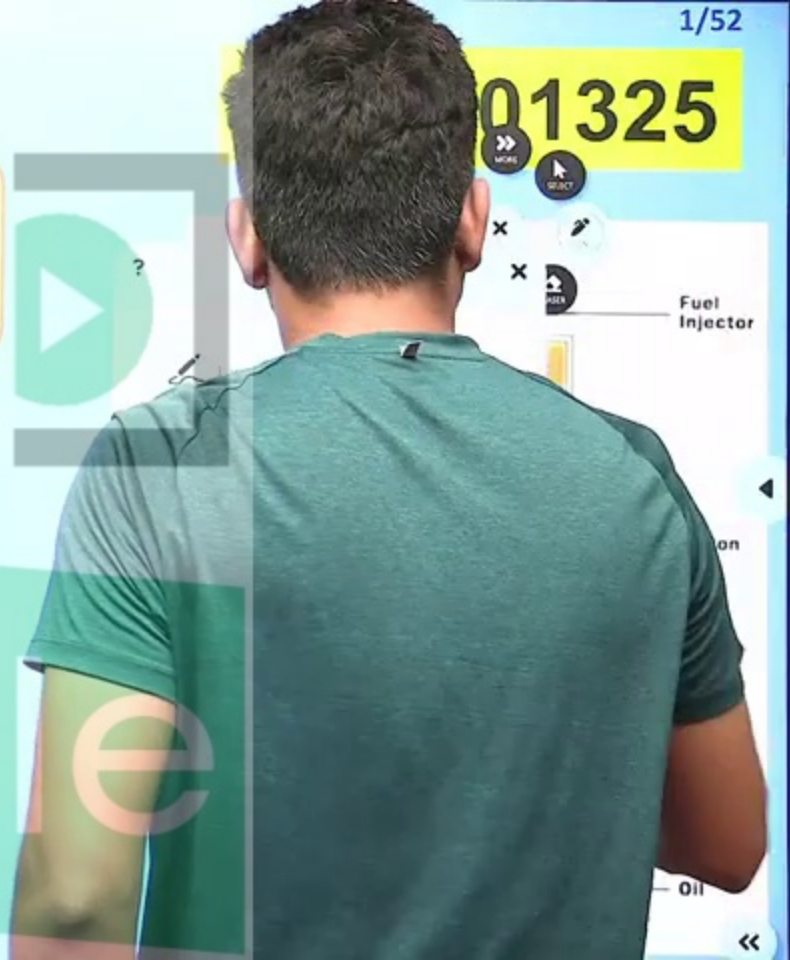
8278601325

Vinod
GATESE -INTER
COMBU
ENG



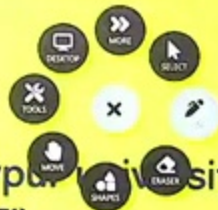
Vinod Datusliya
GATE - AIR #1
ESE - AIR #4

INTERNAL COMBUSTION ENGINES



Vinod Kumar Kusliya

2/52
8278601325



...me Eng... (Jadavpur
...chanical Engineering (IIT
...space Engineering (IISc Bangalore)

...w - 164/200)

...turbine designer
...of 6... (Ex MadeEasy)

Vinod Kumar Kusliya

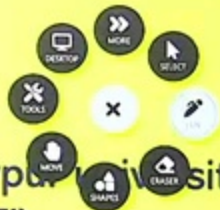
2/52
8278601325



BE Mechanical Engineering (Jadavpur University)
BE. Mechanical Engineering (IIT Bombay)
MTech Mechanical Engineering (IISc Bangalore)

164/200)

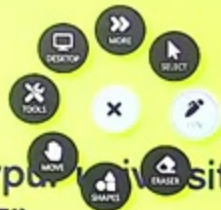
turbine designer
(MadeEasy)



Vinod K. Datusliya

8278601325

2019 - Pune



- : Marine Engineering (Jadavpur University)
- : Mechanical Engineering (IEI)
- : Aerospace Engineering (IISc Bangalore)



new - 164/200)

Vizle
 Senior designer, Steam turbine designer
 Experience of 6 years (Ex MadeEasy)

Vinod Kumar Datusliya

8278601325 ^{2/52}



2019 - Pur

BE. : Marine Engineering (VIT Vellore University)
 BE. : Mechanical Engineering (VIT Vellore University) (IEI)
 MTech : Mechanical Engineering (IISc Bangalore)

7:30 AM

(164/200) 8:00 PM

34

turbine designer
 (x Made ...)

Vizle



Vinod Kumar Datusliya

8278601325 ^{2/52}

2019 - Pune - 3

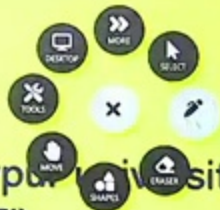
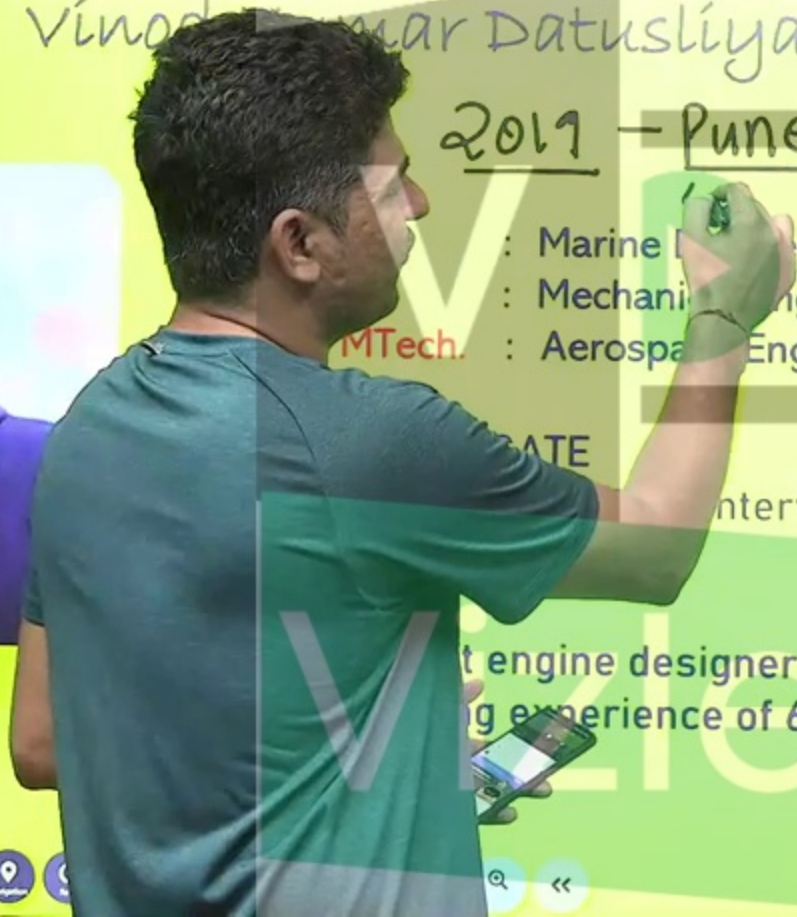
- : Marine Engineering (Jadavpur University)
- : Mechanical Engineering (IEI)
- MTEch. : Aerospace Engineering (IISc Bangalore)

7:30 AM

Interview - 164/200) 8:00 PM

34

Jet engine designer, Steam turbine designer
 with experience of 6 years (Ex MadeEasy)



Vinay Kumar Datusliya

8278601325 ^{2/52}

2019 - Pune - 3

400 → 90

- BE. : Marine Engineering (Jadavpur University)
- BE. : Mechanical Engineering (IEI)
- MTech. : Aerospace Engineering (IISc Bangalore)

GATE

& 77 ESE (Interview - 164/200)

ISRO

7:30 AM

8:00 PM

34

Engine designer, Steam turbine designer
Experience of 6 years (Ex MadeEasy)



Vinod Kumar Datusliya

8278601325 ^{2/52}

2019 - Pune - 3

400 → 90

- BE. : Marine Engineering (Jadavpur university)
- BE. : Mechanical Engineering (IEI)
- MTech. : Aerospace Engineering (IISc Bangalore)

AIR - 1 GATE

AIR - 4 & 77 ESE (Interview - 164/200)

AIR - 3 ISRO

7:30 AM

8:00 PM

34

Aircraft engine designer, Steam turbine designer
Teaching experience of 6 years (Ex MadeEasy)





Vinay Kumar Datusliya

2/52
8278601325



PIN

B.E. : Marine Engineering (Jadavpur university)
M.E. : Mechanical Engineering (IEI)
M.Tech. : Aeronautical Engineering (IISc Bangalore)

AIR - 1 GATE
AIR - 4 & 7
AIR - 2

Aircraft engine designer, Steam turbine designer
Teaching experience of 6 years (Ex MadeEasy)





BE. : Marine Engineering (Jawahar University)
BE. : Mechanical Engineering (JIEI)
MTech. : Aerospace Engineering (Bangalore)

AIR - 1 GATE

AIR - 4 & 77 ES

AIR - 3 ISRO

Aircraft engine
Teaching experience

This PDF is generated automatically by **Vizle**.
Slides created *only for a few minutes* of your Video.



For the full PDF, please **Login to Vizle**.

<https://vizle.offnote.co> (Login via Google, top-right)

Stay connected with us:

Join us on **Facebook, Discord, Quora, Telegram**.