



Made With  
VivaVideo





<https://vizle.offnote.co>

Contact us: [vizle@offnote.co](mailto:vizle@offnote.co)

This document was generated automatically by **Vizle**

Your **Personal Video Reader Assistant**

Learn from Videos **Faster** and **Smarter**

### VIZLE PRO / BIZ

PDF, PPT ~~Watermarks~~

- Convert *entire* videos
- *Customize* to retain all essential content
- Include Spoken *Transcripts*
- Customer support

Visit <https://vizle.offnote.co/pricing> to learn more

### VIZLE FREE PLAN

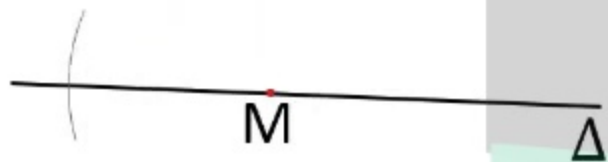
PDF only ~~Watermarks~~

- Convert videos *partially*
- Slides may be *skipped*\*
- Usage restrictions
- No Customer support

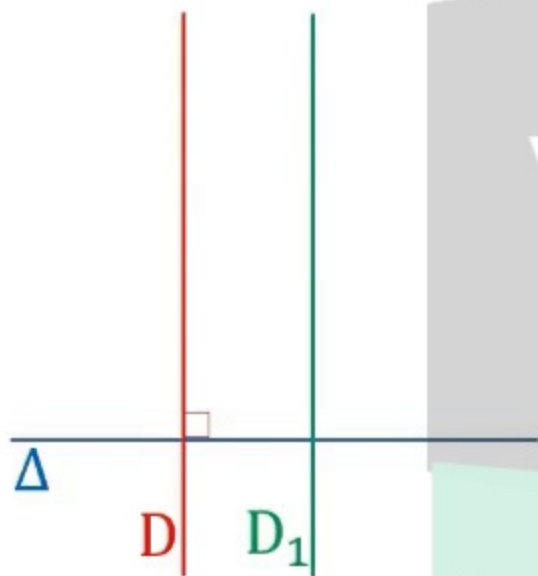
Visit <https://vizle.offnote.co> to try free

**Login to Vizle** to unlock more slides\*

أبني مستقيم عموديّ على المستقيم المقدم و يمرّ من نقطة معلومة  $M$ .  
 □ النّقطة  $M$  تنتمي إلى  $\Delta$



Vizle

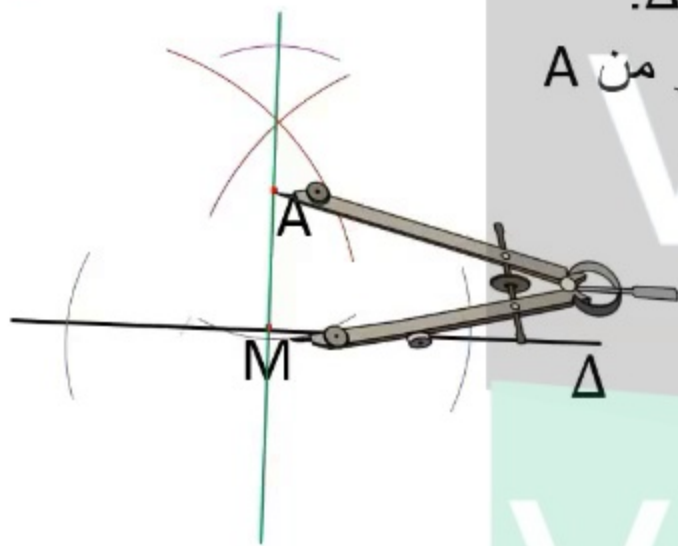


$$D \perp \Delta$$

$$D // D_1$$

Vizle

ابن نقطة A تبعد 2 cm عن المستقيم  $\Delta$ .  
ابن المستقيم D الموازي لـ  $\Delta$  و المار من A  
وعين عليه النقطة N.



Vizle

تطوير المهارات

سر التفوق و النجاح  
3M2S Education



<https://vizle.offnote.co>

Contact us: [vizle@offnote.co](mailto:vizle@offnote.co)

This document was generated automatically by **Vizle**

Your **Personal Video Reader Assistant**

Learn from Videos **Faster** and **Smarter**

### VIZLE PRO / BIZ

PDF, PPT ~~Watermarks~~

- Convert *entire* videos
- *Customize* to retain all essential content
- Include Spoken *Transcripts*
- Customer support

Visit <https://vizle.offnote.co/pricing> to learn more

### VIZLE FREE PLAN

PDF only ~~Watermarks~~

- Convert videos *partially*
- Slides may be *skipped*\*
- Usage restrictions
- No Customer support

Visit <https://vizle.offnote.co> to try free

**Login to Vizle** to unlock more slides\*