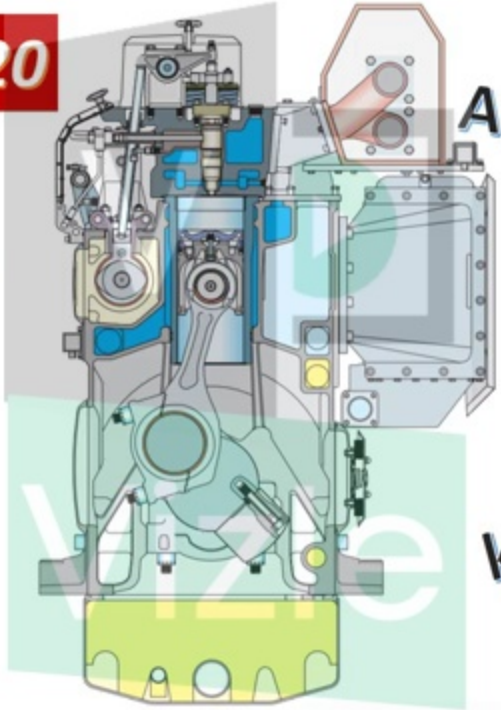


V



Vizle

# Värtsilä 8L20



Afvoergassen

brandstof

lucht

smeerolie

koelwater



<https://vizle.offnote.co>

Contact us: [vizle@offnote.co](mailto:vizle@offnote.co)

This document was generated automatically by **Vizle**

Your **Personal Video Reader Assistant**

Learn from Videos **Faster** and **Smarter**

### VIZLE **PRO / BIZ**

PDF, PPT ~~Watermarks~~

- Convert *entire* videos
- *Customize* to retain all essential content
- Include Spoken *Transcripts*
- Customer support

Visit <https://vizle.offnote.co/pricing> to learn more

### VIZLE **FREE PLAN**

PDF only ~~Watermarks~~

- Convert videos *partially*
- Slides may be *skipped*\*
- Usage restrictions
- No Customer support

Visit <https://vizle.offnote.co> to try free

**Login to Vizle** to unlock more slides\*

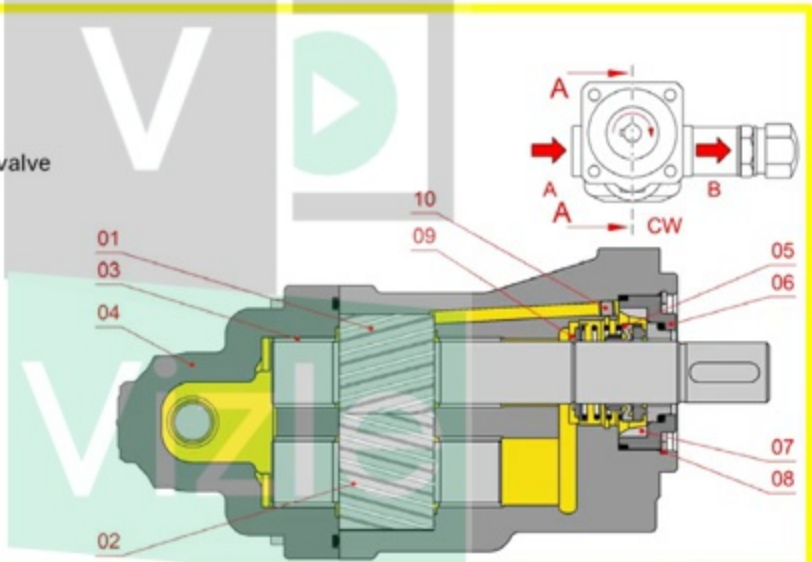
# PRE LUBRICATING OIL PUMP

## Components

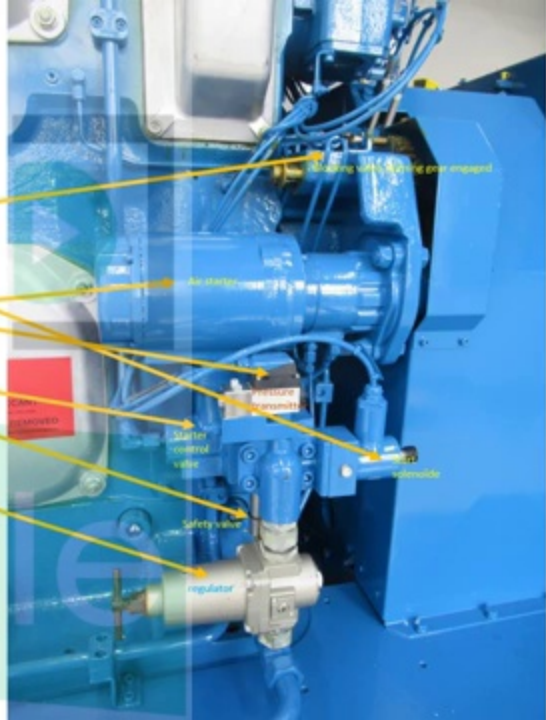
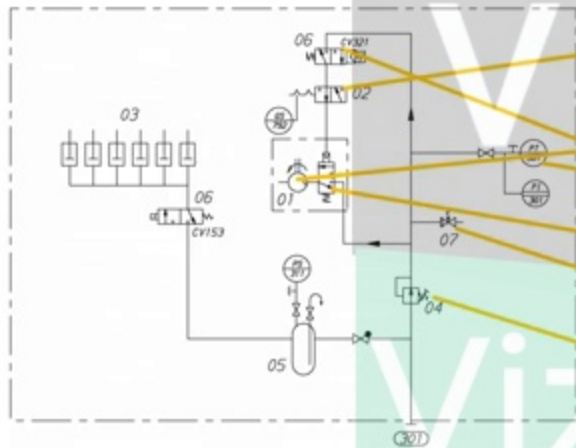
- 01 Drive gear
- 02 Driven gear
- 03 Bearing bush
- 04 Pressure regulating valve
- 05 Mechanical seal
- 06 Retaining cap
- 07 Shim ring
- 08 Retaining ring
- 09 Retaining ring
- 10 Nozzle

## Connections

- A Suction connection
- B Pressure connection









<https://vizle.offnote.co>

Contact us: [vizle@offnote.co](mailto:vizle@offnote.co)

This document was generated automatically by **Vizle**

Your **Personal Video Reader Assistant**

Learn from Videos **Faster** and **Smarter**

### VIZLE **PRO / BIZ**

PDF, PPT ~~Watermarks~~

- Convert *entire* videos
- *Customize* to retain all essential content
- Include Spoken *Transcripts*
- Customer support

Visit <https://vizle.offnote.co/pricing> to learn more

### VIZLE **FREE PLAN**

PDF only ~~Watermarks~~

- Convert videos *partially*
- Slides may be *skipped*\*
- Usage restrictions
- No Customer support

Visit <https://vizle.offnote.co> to try free

**Login to Vizle** to unlock more slides\*